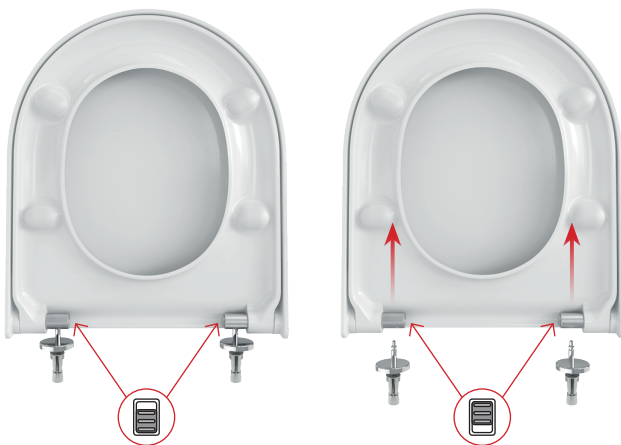
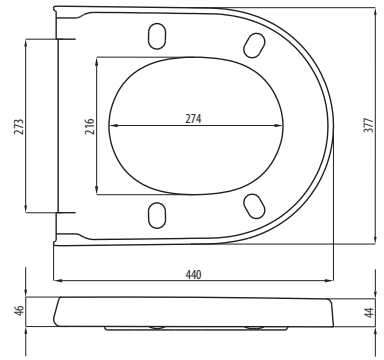


# TORRES



054/MWP  
2800g

COLOURS:   



METAL HINGE, SOFT CLOSE, QUICK RELEASE - TWO BUTTONS