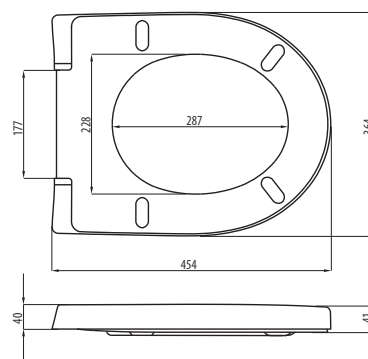


# MAJORKA



049/...  
2500 g

COLOURS:   



**049/A**  
PLASTIC HINGE



**049/AW**  
PLASTIC HINGE, SOFT CLOSE



**049/M**  
METAL HINGE



**049/MW**  
METAL HINGE, SOFT CLOSE